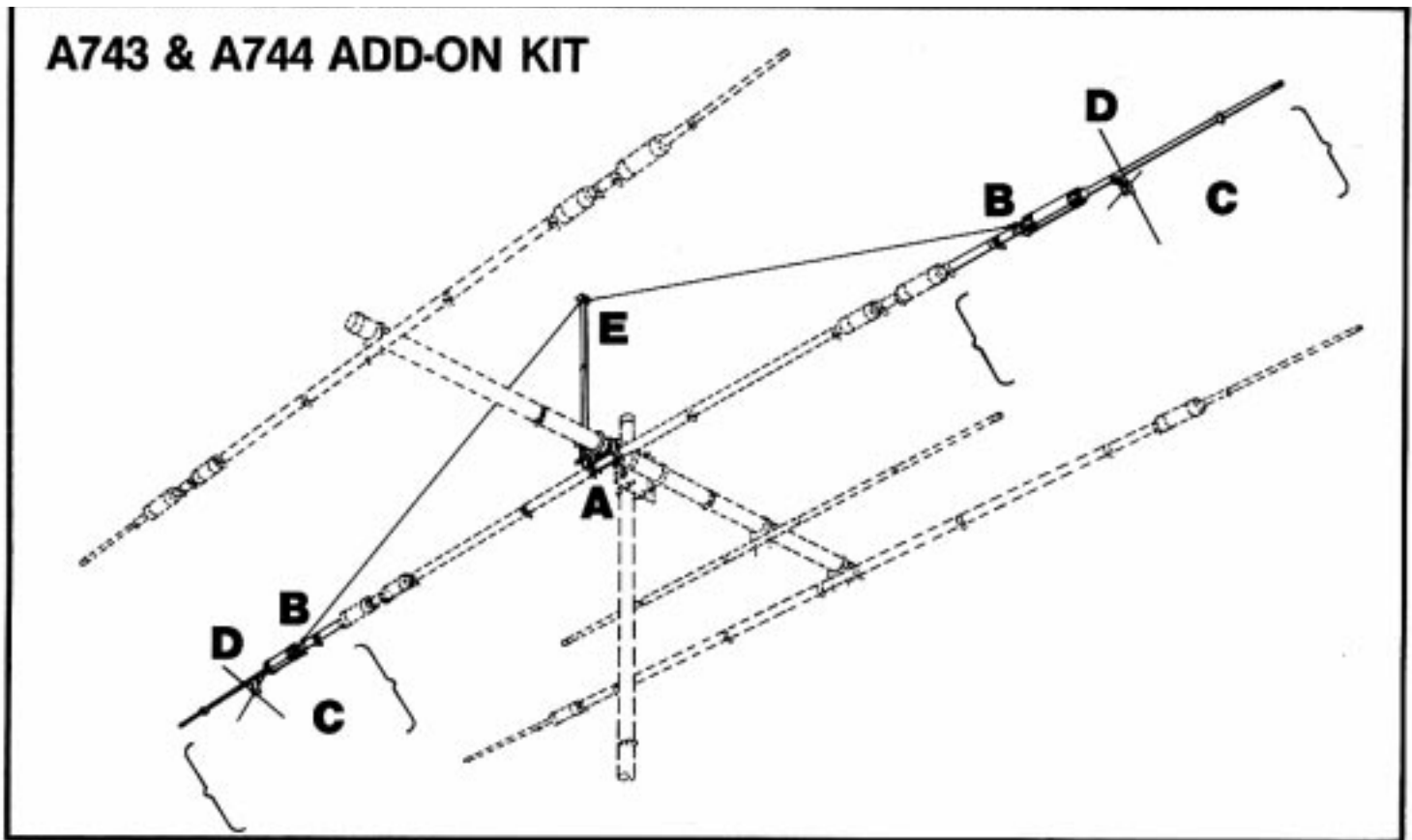


A743 and A744 ADD-ON KIT **40 or 30 METER ANTENNA**

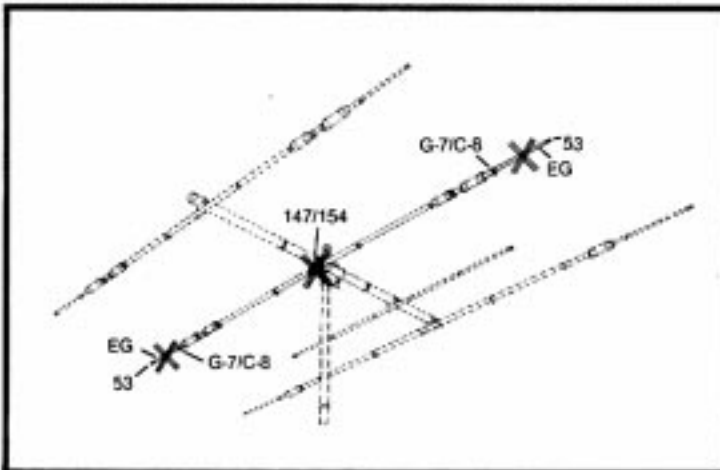


A743/451

A743 & A744 ADD-ON KIT

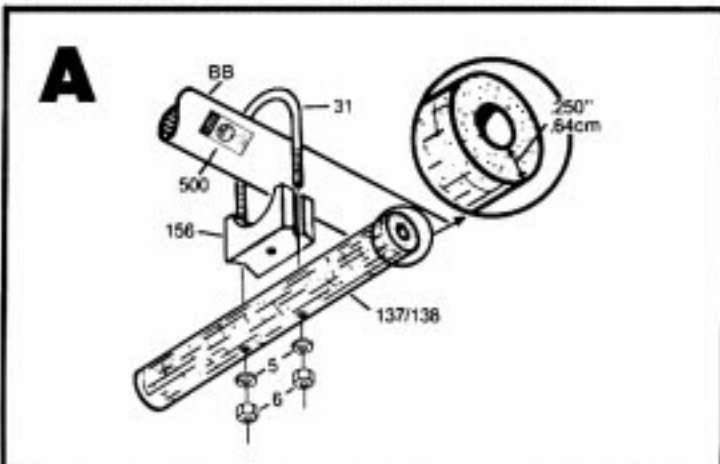


1 INSULATOR DISASSEMBLY



P/N		DETAIL	DESC.	SIZE	QTY
A3	A4				
147	154		FIBERGLASS INSULATOR	1"OD x 10" (2.5cm x 25.4cm)	1
EG	EG		ALUMINUM TUBING	1/2" OD x 38 1/2" (1.3cm x 91cm) x .005" wall	2
53	53		BLACK PLASTIC CAP	1/2" (1.3cm)	2
	C-8		WORM CLAMP	3/4" (2.2cm)	2
G-7			WORM CLAMP	3/4" (1.8cm)	2

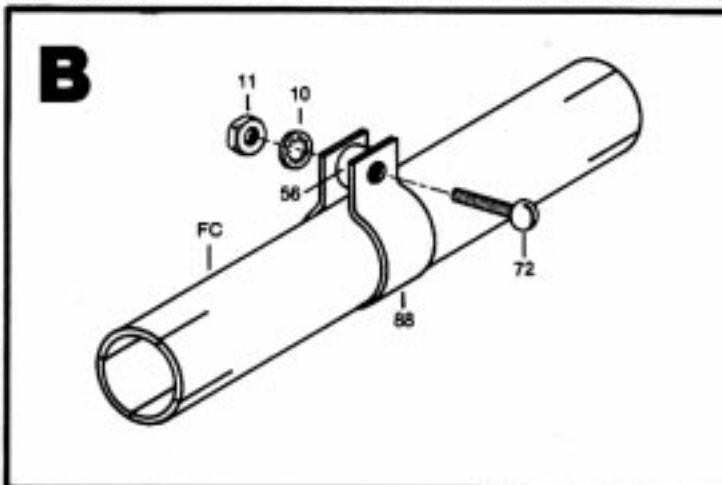
2 INSULATOR ASSEMBLY



137	138		FIBERGLASS INSULATOR	1"OD x 25" x 10" (2.5cm x 25.4cm)	1
500	500		WARNING LABEL		1

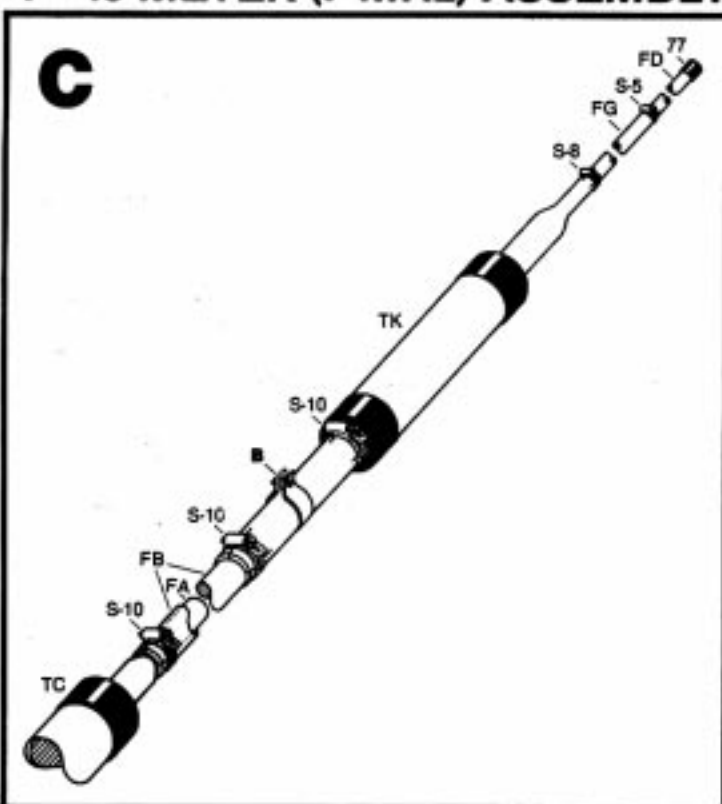
WARNING:
 THIS ANTENNAS IS AN ELECTRICAL CONDUCTOR. CONTACT WITH POWER LINES CAN RESULT IN DEATH, OR SERIOUS INJURY. DO NOT INSTALL THIS ANTENNA WHERE THERE IS ANY POSSIBILITY OF CONTACT WITH OR HIGH VOLTAGE ARC-OVER FROM POWER CABLES OR SERVICE DROPS TO BUILDINGS. THE ANTENNA, SUPPORTING MAST AND/OR TOWER MUST NOT BE CLOSE TO ANY POWER LINES DURING INSTALLATION REMOVAL OR IN THE EVENT PART OF THE SYSTEM SHOULD ACCIDENTALLY FALL. FOLLOW THE GUIDELINES FOR ANTENNA INSTALLATIONS RECOMMENDED BY THE U.S. CONSUMER PRODUCT SAFETY COMMISSION AND LISTED IN THE ENCLOSED DAMPHLET

3 GUY LINE CLAMP ASSEMBLY



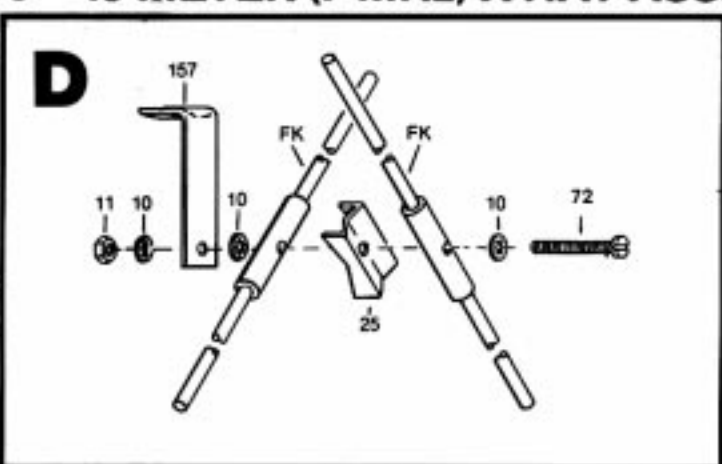
P/N	DETAIL	DESC.	SIZE	QTY
88		GUY LINE CLAMP	1"(2.5cm)	2
56		ALUMINUM SPACER	1/4" x 1/4" (.79 x .64cm)	2
72		SS MACHINE SCREW	#8-32 x 1/4" (1.9cm)	2
10		SS INTERNAL LOCKWASHER	#8-32	2
11		SS HEX NUT	#8-32	2
FC		ALUMINUM TUBING	1" x .058" x 7" (2.5 x 17.8cm)	2

4 40 METER (7 MHz) ASSEMBLY



S-10		SS WORM CLAMP	1 1/2"(3.5cm)	6
FA		ALUMINUM TUBING	1/4" x .035" x 3" (1.9 x 7.5cm)	2
FB		ALUMINUM TUBING	1/4" x .058" x 13 1/4" (2.2 x 33.8cm)	2
TK		TK 20 METER TRAP		2
S-8		SS WORM CLAMP	1/2"(2.2cm)	2
S-5		SS WORM CLAMP	1/2"(1.3cm)	2
FG		ALUMINUM TUBING	1/2" x .049" x 24" (1.3 x 61.0cm)	2
FD		ALUMINUM TUBING	1/4" x .058" x 42" (9 x 106.7cm)	2
77		BLACK PLASTIC CAP	1/2"(9.5cm)	2

5 40 METER (7 MHz) X-HAT ASSEMBLY



FK		ALUMINUM ROD	1/4" x 28 1/4" (0.48 x 73.03cm)	4
25		FORMED ALUMINUM BLOCK	1/2"(2.2cm)	2
157		FORMED ALUMINUM BRACKET	2" x 1/4" (5.1 x 1.9cm)	2
72		SS MACHINE SCREW	#8-32 x 1 1/2" (3.18cm)	2
10		SS INTERNAL LOCKWASHER	#8-32	6
11		SS HEX NUT	#8-32	2

6A 30 METER (10 MHz) OPTION ASSEMBLY

40 METER

30 METER

P/N	DETAIL	DESC.	SIZE	QTY
53		BLACK PLASTIC CAP	1/2" (1.3cm)	2

6B DRIVEN ELEMENT LENGTH ADJUSTMENT

A743

CODE:	40 METER (7 MHz)					30 METER (10 MHz)				
	A2	B2	C2	E2	D2	A2	B2	C2	F2	G2
	FT-IN CM	IN CM	IN CM	FT-IN CM	FT-IN METERS	FT-IN CM	IN CM	IN CM	IN CM	FT-IN METERS
PHONE	6 - 8 1/4 203.8	5 3/4 14.6	18 3/4 47.6	5 - 1/2 153.4	33 - 2 1/4 10.12	6 - 8 1/4 206.4	5 3/4 14.6	19 1/4 48.9	24 1/2 62.60	27 - 5 3/4 8.38
CENTER	6 - 11 1/2 212.1	6 15.2	19 48.3	5 - 3/4 160.3	34 - 3 1/4 10.45	6 - 11 1/2 212.1	6 15.2	19 1/2 49.5	24 1/2 62.23	27 - 11 8.5
CW	7 - 1/2 215.6	7 17.8	20 50.8	5 - 6 1/4 168.0	35 - 4 10.77	7 - 1/2 215.6	7 17.8	20 1/4 51.4	24 1/4 61.6	28 - 4 1/4 8.68

A744

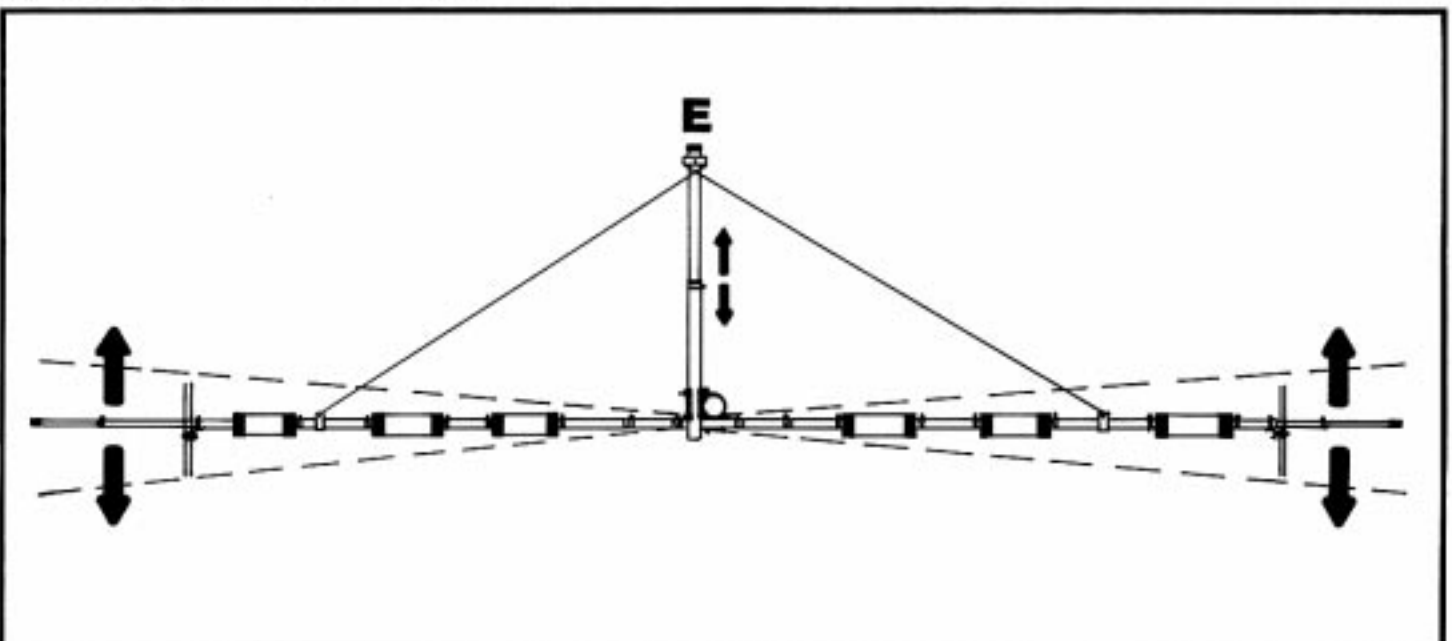
CODE:	40 METER (7 MHz)					30 METER (10 MHz)				
	A3	B3	C3	E3	D3	A3	B3	C3	F3	G3
	FT-IN CM	IN CM	IN CM	FT-IN CM	FT-IN METERS	FT-IN CM	IN CM	IN CM	IN CM	FT-IN METERS
PHONE	6 - 6 198.1	5 3/4 14.6	20 1/4 51.4	5 - 2 1/2 158.7	33 - 5 10.19	6 - 6 198.1	5 3/4 14.6	20 1/4 51.4	24 3/4 62.9	27 - 1 1/2 8.27
CENTER	6 - 7 200.7	5 3/4 14.6	20 1/4 51.4	5 - 3 1/2 161.3	33 - 9 10.29	6 - 7 200.7	5 3/4 14.6	20 1/4 51.4	24 1/2 62.5	27 - 3/4 8.31
CW	6 - 11 1/2 212.1	6 3/4 17.1	20 1/4 52.7	5 - 6 1/2 169.0	35 - 3 10.74	6 - 11 1/2 212.1	6 3/4 17.1	20 1/4 52.7	24 1/2 61.9	28 - 2 3/4 8.60

7 DRIVEN ELEMENT SUPPORT MAST ASSEMBLY

E

P/N	DETAIL	DESC.	SIZE	QTY
38		BLACK PLASTIC CAP	1"(2.5cm)	1
11		SS HEX NUT	#6-32	1
10		INTERNAL TOOTH WASHER	#6-32	1
25		ALUMINUM BRACKET	1/2"(2.2cm)	1
148		SS MACHINE SCREW	6-32 x 2 1/2" (6.4cm)	1
FM		PHENOLIC TUBING	3/4"OD x 1" (2.2 x 2.5cm)	1
FN		GUY LINE	3mm x 7.01m (23')	1
FJ		ALUMINUM TUBING	1" x .058" x 24" (2.5 x 61cm)	1
S-10		SS WORM CLAMP	1 1/4"(3.5cm)	1
FH		ALUMINUM TUBING	1 1/4" x .058" x 24" (2.8 x 61cm)	1
6		S HEX NUT	5/8"(1.8cm)	2
5		S SPLIT LOCKWASHER	5/8"(1.8cm)	2
33		U-BOLT BACKING PLATE	3 1/2"(8.9cm)	1
32		U-BOLT BRACKET	3 1/2"(8.9cm)	1
		S U-BOLT	2 1/4"(5.4cm)	1

8 ADJUST GUY LINE



WARNING:

THIS ANTENNA IS AN ELECTRICAL CONDUCTOR, CONTACT WITH POWER LINES CAN RESULT IN DEATH, OR SERIOUS INJURY. DO NOT INSTALL THIS ANTENNA WHERE THERE IS ANY POSSIBILITY OF CONTACT WITH OR HIGH VOLTAGE ARC-OVER FROM POWER CABLES OR SERVICE DROPS TO BUILDINGS. THE ANTENNA, SUPPORTING MAST AND/OR TOWER MUST NOT BE CLOSE TO ANY POWER LINES DURING INSTALLATION REMOVAL OR IN THE EVENT PART OF THE SYSTEM SHOULD ACCIDENTLY FALL. FOLLOW THE GUIDELINES FOR ANTENNA INSTALLATIONS RECOMMENDED BY THE U.S. CONSUMER PRODUCT SAFETY COMMISSION AND LISTED IN THE ENCLOSED PAMPHLET.

PLANNING:

Plan your installation carefully. If you use volunteer helpers be sure that they are qualified to assist you. Make certain everyone involved understands that you are the boss and that they must follow your instructions. If you have any doubts at all employ a professional antenna installation company to install your antenna.

ASSEMBLY:

The procedure for assembly of the A743/A744 is straight forward as depicted in the illustrations. See the main pictorial on Page 2 for an overall view of the assembled antenna.

Begin by checking the parts supplied against the combined lists. After removing your antenna from its support, remove the driven element. Remove the center insulator and replace it with the one provided. Complete sub-assemblies as shown in Steps 2 through 5. Notice that Steps 4 and 5 are used for 7 MHz, and Step 6A for 10 MHz. Remove the tubing sections from the ends of your existing driven element. Place the new assembly C over the ends of the 15 meter trap (TC). Adjust the lengths per Step 6B. Place support mast, E, on the boom and feed the support guy line as shown in Step 7. Adjust the support mast until the driven element is parallel to the other elements. Replace the antenna on your tower.

LIMITED WARRANTY:

CUSHCRAFT CORPORATION, P.O. BOX 4680, MANCHESTER, NEW HAMPSHIRE 03108, WARRANTS TO THE ORIGINAL CONSUMER PURCHASER FOR ONE YEAR FROM DATE OF PURCHASE THAT EACH CUSHCRAFT ANTENNA IS FREE OF DEFECTS IN MATERIAL OR WORKMANSHIP. IF, IN THE JUDGEMENT OF CUSHCRAFT, ANY SUCH ANTENNA IS DEFECTIVE, THEN CUSHCRAFT CORPORATION WILL, AT ITS OPTION, REPAIR OR REPLACE THE ANTENNA AT ITS EXPENSE WITHIN THIRTY DAYS OF THE DATE THE ANTENNA IS RETURNED (AT PURCHASER'S EXPENSE) TO CUSHCRAFT OR ONE OF ITS AUTHORIZED REPRESENTATIVES. THIS WARRANTY IS IN LIEU OF ALL OTHER EXPRESSED WARRANTIES, ANY IMPLIED WARRANTY IS LIMITED IN DURATION TO ONE YEAR. CUSHCRAFT CORPORATION SHALL NOT BE LIABLE FOR ANY INCIDENTAL OR CONSEQUENTIAL DAMAGES WHICH MAY RESULT FROM A DEFECT. SOME STATES DO NOT ALLOW LIMITATIONS ON HOW LONG AN IMPLIED WARRANTY LASTS OR EXCLUSIONS OR LIMITATIONS OF INCIDENTAL OR CONSEQUENTIAL DAMAGES, SO THE ABOVE LIMITATION AND EXCLUSION MAY NOT APPLY TO YOU. THIS WARRANTY GIVES YOU SPECIFIC LEGAL RIGHTS, AND YOU MAY ALSO HAVE OTHER RIGHTS WHICH VARY FROM STATE TO STATE. THIS WARRANTY DOES NOT EXTEND TO ANY PRODUCTS WHICH HAVE BEEN SUBJECT TO MISUSE, NEGLIGENCE, ACCIDENT OR IMPROPER INSTALLATION. ANY REPAIRS OR ALTERATIONS OUTSIDE OF THE CUSHCRAFT FACTORY WILL NULLIFY THIS WARRANTY.



THE ANTENNA COMPANY
48 Perimeter Road, P.O. Box 4680
Manchester, NH 03108

SPECIFICATIONS SUBJECT TO CHANGE WITHOUT NOTICE.