

Mobile Discone Antenna

For Reception 100~1600MHz Wide Band Non-Directional Antenna
Available for transmitting for the range 144/430/904/1200MHz

DIAMOND
ANTENNA

D220R

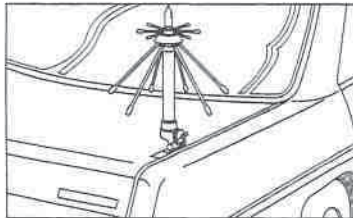
Operation Instructions

To use this antenna properly, read this instruction thoroughly before using it. Keep this manual carefully at hand for later use.

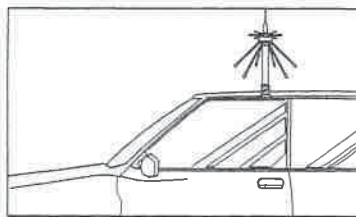
●Antenna Location

D220R doesn't require any ground plane. However, for your safety, fix the antenna base on the car firmly. Don't use the magnet antenna base.

Trunk Lid



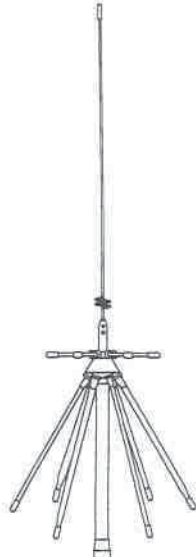
Gutter Mount



●For uses

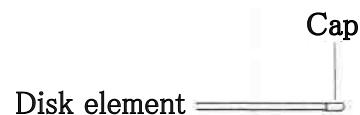
D220R is a wide range 100~1600MHz receiving antenna. It is available for transmitting for 144/430/904/200MHz. D220 is designed as a mobile antenna but it is possible to use D220R as fixed station with Diamond Antenna BK10.

●Appearance



Note

- Don't touch the antenna during transmitting.
- Install the antenna within total width and length of the car and the place where is not easy reachable.
- Don't use the magnet antenna base.
- Bolts and screws on the antenna and antenna bracket are likely to be loosened by vibration during driving. Be sure to see if they are well fastened before operation and refasten them if needed.
- For your safety, don't remove the cap from the disk element. Cap of cone elements are adhered and cap of disk elements are not adhered.



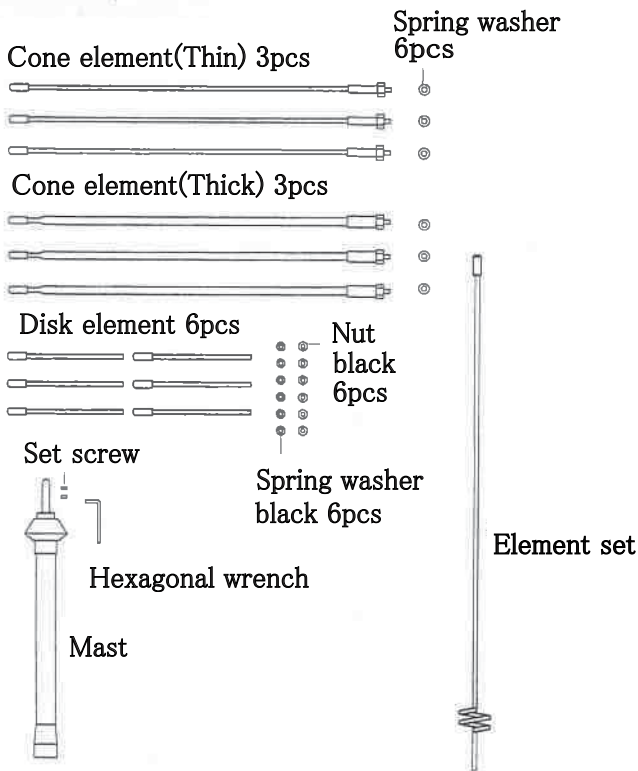
Note

- If D220R is too close to other antenna, VSWR may be higher. Please install the antenna from other antenna as far away as possible.
- If the antenna is installed close to broadcasting stations, sometimes you are not able to receive the signal.

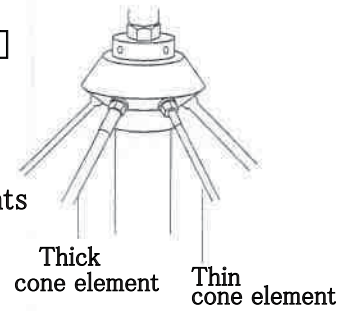
Features

- Compact mobile discone antenna.
- For reception 100~1600MHz wide band non-directional antenna.
- Available for transmitting for the range 144/430/904/1200MHz.

● Check for the parts



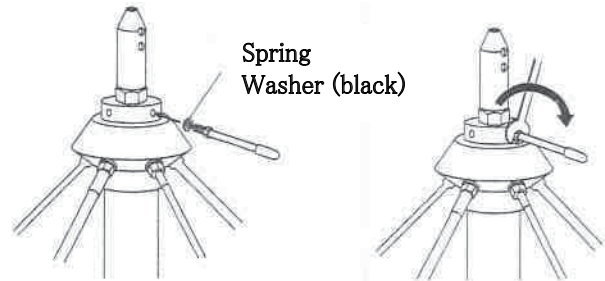
- ③ All 6 pcs of cone element should be mounted. [note] Please attach thin cone element and thick cone element alternately. Two kinds of cone elements are included. One is thin another is thick.



- ④ Attach the nut to disk element. The nut should be fastened to end of screw.



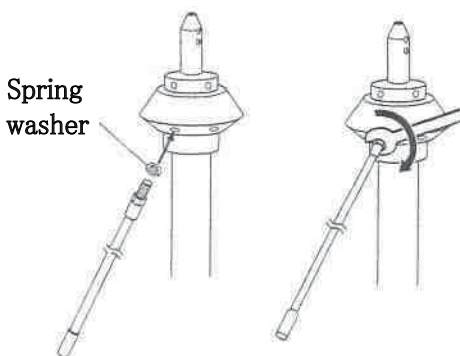
- ⑤ Attach the nut to disk element and spring washer to disk base. After setting by hand then fasten firmly by 7mm spanner.



● How to assembly

- ① Fix the element set with Hexagonal wrench. Nuts and screw can be loosened by vibration during driving.

- ② Attach the cone element and spring washer to cone base. After setting by hand then fasten by 8mm spanner.



- ⑥ All 6 pcs of cone elements should be mounted.

● Specifications

Receiving	: 100~1600MHz
Frequency range	
Transmitting	: 144/430/904/1200MHz
Frequency range	
Gain	: 2.15dBi (144/904/1200MHz) 3.4dBi (430MHz)
Impedance	: 50 Ω
VSWR	: Less than 1.5 (Transmitting Frequency range)
Max power rating	: 50 W
Length	: 0.70 m
Weight	: 360 g
Max Diameter	: 21.6 cm
Connector	: M
Type	: 1/2 λ (144MHz), 5/8 λ (430MHz)

■ Though the product purchased are manufactured under strict quality control. If damage is caused by transporting, ask dealer promptly.

■ Design and specification of the product will be changed for future improvement without advance notice.

DIAMOND ANTENNA CORPORATION