

THE INFORMATION CONTAINED IN THIS DRAWING IS THE SOLE PROPERTY OF NATIONAL PRODUCTS INC. ANY REPRODUCTION IN PART OR WHOLE WITHOUT THE WRITTEN PERMISSION OF NATIONAL PRODUCTS INC. IS PROHIBITED.

D

C

B

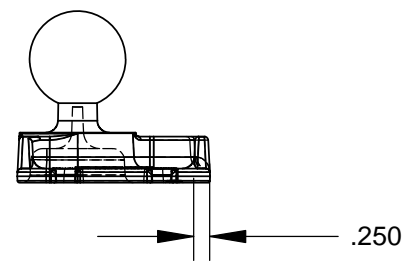
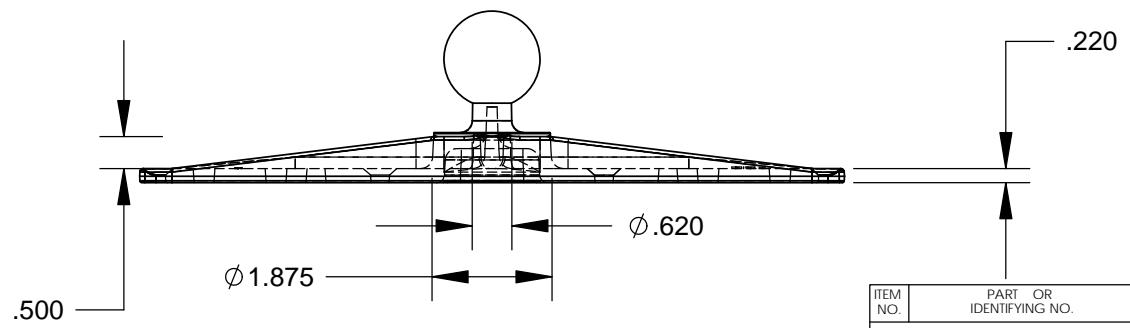
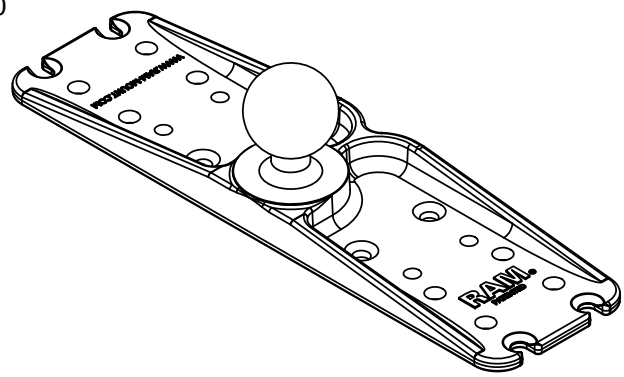
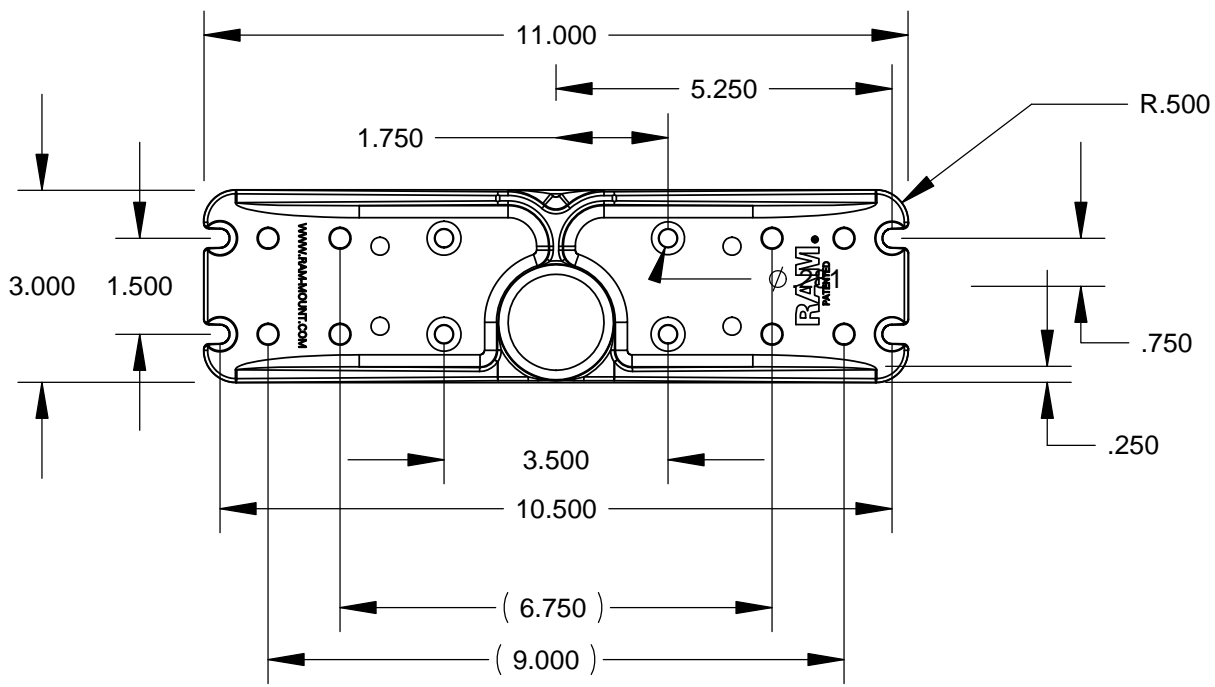
A

D

C

B

A



ITEM NO.	PART OR IDENTIFYING NO.	NOMENCLATURE OR DESCRIPTION	MATERIAL SPECIFICATION	QTY RECD
PARTS LIST				
UNLESS OTHERWISE SPECIFIED DIMENSIONS ARE IN INCHES		CAD GENERATED DRAWING, DO NOT MANUALLY UPDATE		NATIONAL PRODUCTS INC. 1017 S. ELMGROVE ST. SEATTLE, WA 98108
TOLERANCES ARE:		APPROVALS	DATE	
FRACTIONS	DECIMALS	ANGLES		RAM 11" X 3" BASE WITH 1 1/2" DIA. RUBBER BALL
+ - 1/32	.XX+ -.06	+ - 1 DEG.	DRAWN JDC 6/24/03	
.XXX+ -.010			CHECKED CMR 6/24/03	
MATERIAL	ALUMINUM	RESP ENG		
FINISH	BLACK POWDER COAT	MFG ENG		
NEXT ASSY	USED ON	QUAL ENG		
APPLICATION		DO NOT SCALE DRAWING		
SIZE A	DWG. NO.	SCALE		REV.
A	RAM-137B	CAD FILE:		
			SHEET 1	OF 1