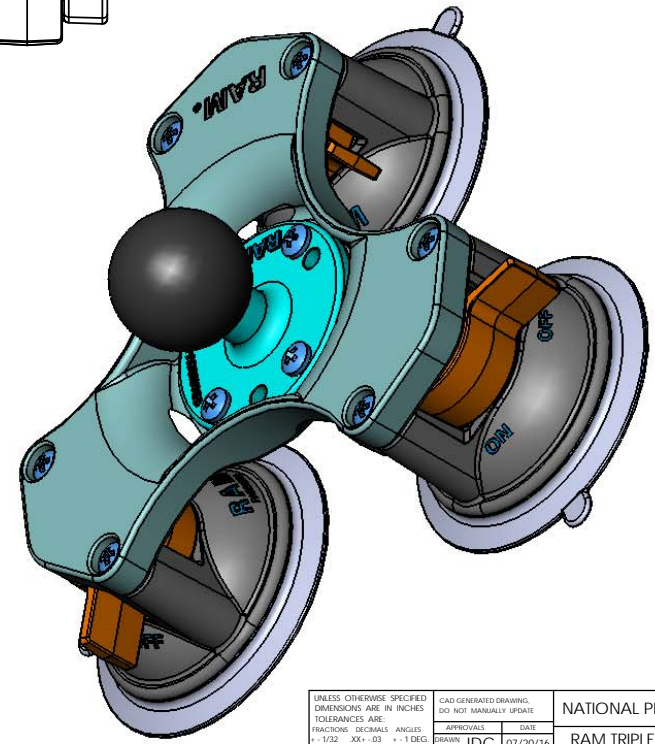
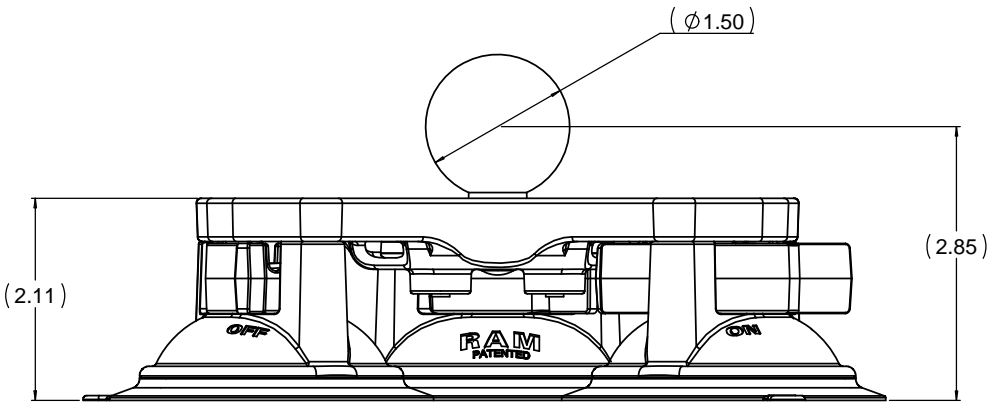
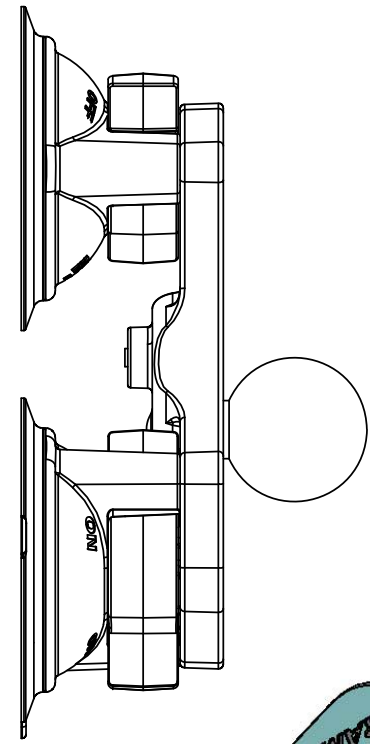
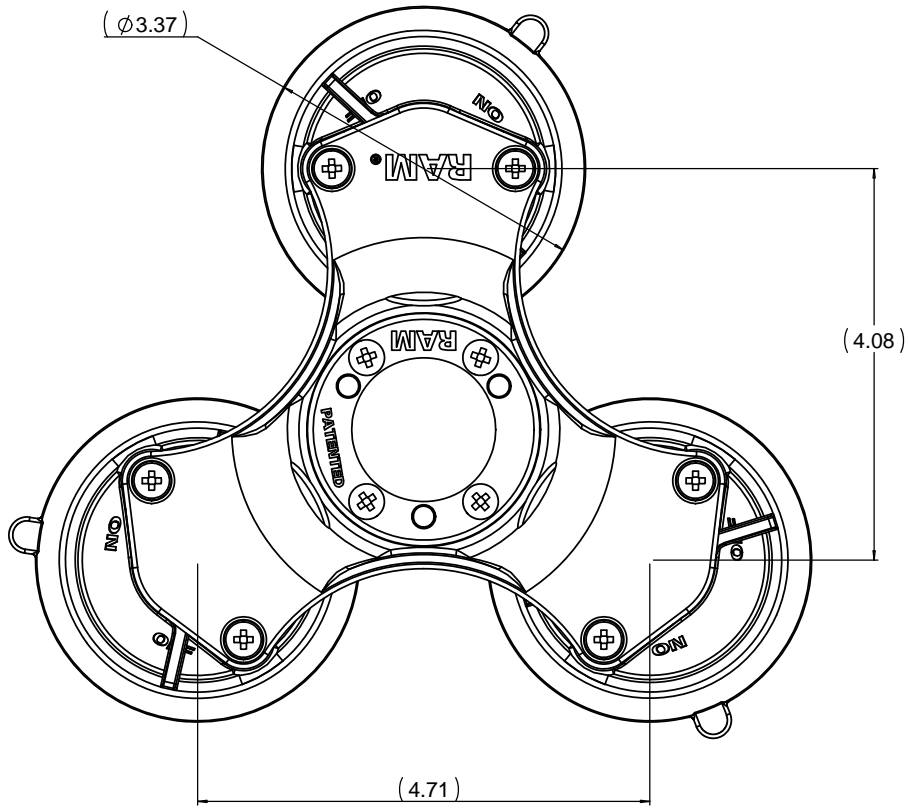


THE INFORMATION CONTAINED IN THIS DRAWING IS THE SOLE PROPERTY OF NATIONAL PRODUCTS INC. ANY REPRODUCTION IN PART OR WHOLE WITHOUT THE WRITTEN PERMISSION OF NATIONAL PRODUCTS INC. IS PROHIBITED.

REV		DESCRIPTION	REVISIONS	DATE	APPROVED



UNLESS OTHERWISE SPECIFIED DIMENSIONS ARE IN INCHES FRACTIONS DECIMALS ANGLES + 1/32 XX + .03 + .1 DEG. XXX - .010	CAD GENERATED DRAWING. DO NOT MANUALLY UPDATE		NATIONAL PRODUCTS INC.	
	APPROVALS	DATE	RAM TRIPLE SUCTION CUP BASE WITH 1 1/2" DIA. RUBBER BALL	
	DRAWN JDC	07/20/16	SIZE	RAP-365-224-1
	CHECKED CMR	07/20/16	REV	
MATERIAL CYCOLOY C-1200	RESP ENG	DRAWN		
FINISH BLACK	MFG ENG			
DO NOT SCALE DRAWING	DUAL ENG			
SCALE 1 TO 1		CAD FILE	RAP-365-224-1	SHEET 1 OF 1