

Item Number _____

RAM-VB-191 & RAM-VB-191-SW1

RAM No-Drill™ Seat Bases

National Products, Inc.

Vehicle base for the

Chevrolet Silverado 1500 with 40/20/40 bench seat ONLY (2014-2015)*

SPECIFICATIONS

Placement

Across Transmission Hump

Drilling Required

No - uses existing console bolts on vehicles

Seat Configuration

Bucket/Bench. Base will not work in vehicles with full console that extends up to dash.

Construction/Finish

Steel/Black Powdercoat

Dimensions

A = 16.875", B = 10", C = 3.75"

Pole or Pedestal

Ordered Separately

Weight

6.7 lbs.

Notes.

*The RAM-VB-191 is recommended for the 2014 Chevrolet Silverado 1500 with 40/20/40 bench seat and no pass through console. For all other Chevrolet Silverado 1500 models refer to the RAM-VB-193.

National Products, Inc.

8410 Dallas Ave S

Seattle, WA 98108

Phone: (206) 763-8361

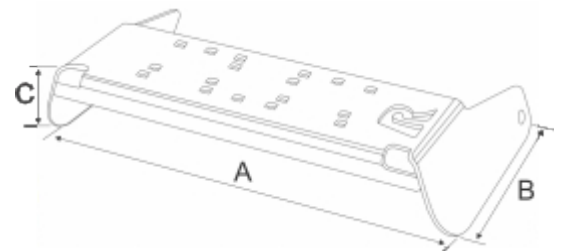
Fax: (206) 763-9615

Website: www.ram-mount.com

Email: staff@ram-mount.com



Complete Vehicle Mount
RAM-VB-191-SW1



Vehicle Base
RAM-VB-191



Item Number _____

RAM-VB-191 & RAM-VB-191-SW1

RAM No-Drill™ Seat Bases

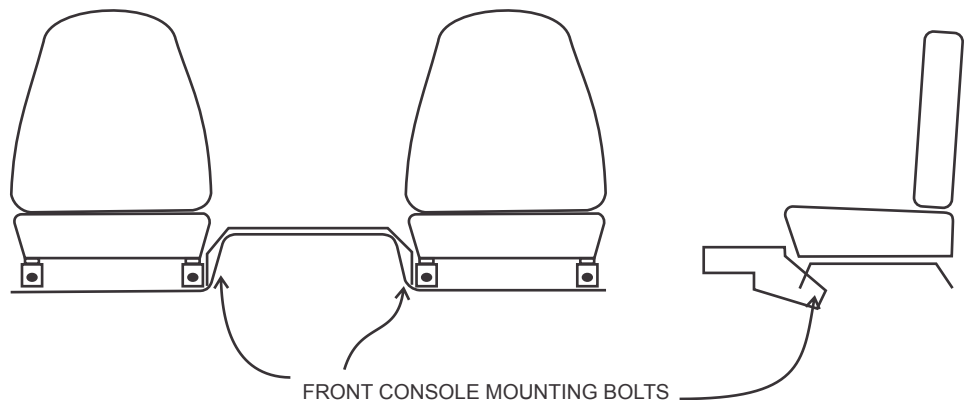
National Products, Inc.

Vehicle base for the

Chevrolet Silverado 1500 with 40/20/40
bench seat ONLY (2014-2015)*

INSTALLATION INSTRUCTIONS

1. Place both front seats in their most rear position.
2. Remove the plastic trim caps using a small screw driver. These are located at the lower front of the center seat/console. Store and save these covers for later use should the base be removed.
3. Using a 15MM socket, remove the bolts found under the plastic trim caps. Store and save these bolts for later use should the base be removed.
4. Place one of the supplied steel tube stand off's inside each opening over the threaded hole.
5. Place the no drill base so that it bridges the center hump. Align the holes in the no drill base with the stand off's on each side of the console.
6. Place the flat washer over the M10 bolt, place through the no drill base and stand off. Start thread by hand.
7. Using a 17MM socket, fully tighten the no drill base so it is secure.



National Products, Inc.

8410 Dallas Ave S
Seattle, WA 98108
Phone: (206) 763-8361
Fax: (206) 763-9615
Website: www.ram-mount.com
Email: staff@ram-mount.com

