

Item Number _____

RAM-VBD-128 & RAM-VBD-128-SW1

RAM Drill Seat Bases

National Products, Inc.

Vehicle base for the UNIVERSAL (ALL VEHICLES)

SPECIFICATIONS

Placement

Flat surface/floor

Drilling Required

Yes

Seat Configuration

Bucket/Bench

Construction/Finish

Steel/Black Powdercoat

Dimensions

A = 8", B = 8", C = 13"

Pole or Pedestal

Included

Weight

3.6 lbs.

Features

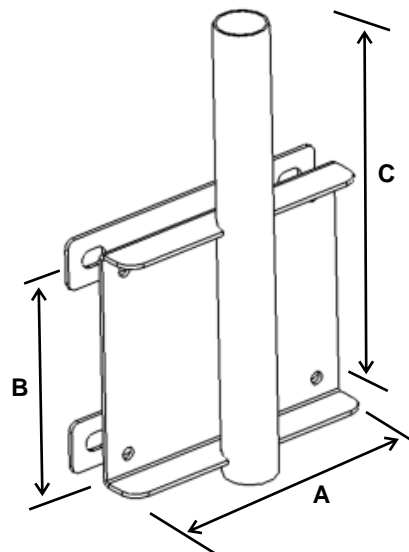
Universal base for any vehicle with a vertical flat mounting surface

Rugged Steel Construction

Lifetime warranty



Complete Vehicle Mount
RAM-VBD-128-SW1



Vehicle Base
RAM-VBD-182

National Products, Inc.

8410 Dallas Ave S

Seattle, WA 98108

Phone: (206) 763-8361

Fax: (206) 763-9615

Website: www.ram-mount.com

Email: staff@ram-mount.com



Item Number _____

RAM-VBD-128 & RAM-VBD-128-SW1

RAM Drill Seat Bases

National Products, Inc.

**Vehicle base for the
UNIVERSAL (ALL VEHICLES)****INSTALLATION INSTRUCTIONS**

1. Place base on vertical flat surface so that the pedestal is in the optimum location.
2. Mark the mounting hole locations. Please note that it might be necessary to shim a corner of the mounting base if the mounting surface is uneven.
3. Drill 17/32" holes in surface at all of the marked locations. Be extremely careful not to damage any equipment behind mounting surface when drilling.
4. Tighten base in place using bolts, washers, and nuts. If floor is less than 1/4" thick, please use fender washers on the back of mounting surface to help distribute the weight.

National Products, Inc.
8410 Dallas Ave S
Seattle, WA 98108
Phone: (206) 763-8361
Fax: (206) 763-9615
Website: www.ram-mount.com
Email: staff@ram-mount.com

